



FBM 4100

Battery motor
for drum pumps



FBM 4100 – most powerful battery motor for drum pumps worldwide

The FBM 4100 offers the performance of corded drum pump motors – with all the advantages of battery operation. With 420 watts and 2 x 18V/4,0 Ah batteries, it runs longer than any comparable battery drive for drum pumps on the market. Ideal for applications where cables are a hindrance or no mains connection is available. Smart functions also ensure greater efficiency and convenience. A real technological advantage. Worldwide.

Intelligence included

The world's first intelligent drum pump motor, with functions such as batch filling and dry-run protection.

Keeps pumping while others are recharging

Two 18V/4,0 Ah SEALED Power-X-Change batteries from Einhell provide 60 % longer runtime compared to other battery-powered motors (with the same delivery rate).

Maintenance-free

Brushless (BLDC) technology eliminates the need for carbon brushes—and therefore also the need for regular replacement.

Makes other pumps smart too

Universally applicable. Also expands the range of functions of pumping stations from other manufacturers.



All features at a glance



Energy-efficient powerhouse

80% energy efficiency thanks to BLDC motor technology ensures that the 420 watts of power are optimally utilized.

Everything under control

Powerful and lightweight: The FBM 4100 offers the best weight-to-power ratio for comfortable one-handed operation.

Leaves no one in the dark

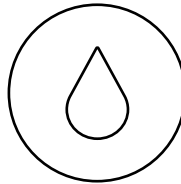
Thanks to integrated container lighting, the fill level of the medium is clearly visible at all times.

- » 11 × 200-liter drums per battery charge – under real conditions with hose and fuel nozzle
- » Integrated batch filling function for recurring filling tasks without any additional measuring equipment
- » With 6 memory slots for different filling processes
- » Integrated dry-run protection that can be activated
- » Intuitive menu navigation
- » Compatible with many pump units from other manufacturers
- » Ventilated version with 420 watts of power and IP24 protection class
- » Closed version with 260 watts of power and IP44 protection class
- » 80% energy efficiency
- » Encapsulated electronics for protection against aggressive vapors
- » Low maintenance thanks to brushless motor technology
- » Easy speed control via rotary knob
- » Switchable container lighting
- » Illuminated LCD display

The world's first smart drum pump motor

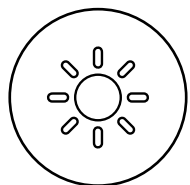
Core version

The **Core version** already offers a wide range of intelligent functions, including integrated dry-run protection, patent pending batch filling, and practical LED container lighting.



Dry-run protection

When this feature is activated, the motor detects when the container is empty and automatically switches off. This reliably protects the pump from damage caused by dry running and extends its service life.



LED lighting

At the touch of a button, LED container lighting can be switched on to visually check the fill level in the container.



Batch filling

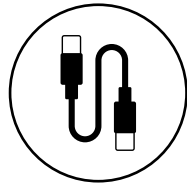
The intelligent batch filling function allows filling processes to be repeated at the touch of a button and ensures accurate filling without the need for external devices.





Pro version

The **Pro version** includes all the functions of the Core version and also offers an interface for peripheral devices. This allows the motor to be controlled externally and connected devices to be supplied with 24 V.



Interface for peripheral devices

External devices such as start/stop buttons or even the FLUXTRONIC® for direct motor control can be conveniently connected via the interface. In addition, the FBM 4100 Pro can serve as a 24 V power source for peripheral devices. Thanks to this smart solution, additional components such as switching amplifiers are often unnecessary.



Typical applications for the FBM 4100 Pro

With an external start/stop button, the motor can be started and stopped directly at the fuel nozzle, for example. This means that the filling process can be triggered directly at the point of use - for greater convenience and ergonomics.

In combination with a FLUX flow meter and FLUXTRONIC® evaluation electronics, filling and dosing processes can be carried out on the move, independently and without annoying cables, with maximum precision and the greatest possible safety.

The FBM 4100 Pro can serve as a 24 V power source for peripheral devices such as flow meters or level sensors. These can start and stop the motor externally via output signals.



High delivery quantity per battery charge

The true performance of a battery-powered motor is demonstrated by the delivery rate per battery charge. The FBM 4100 delivers significantly more endurance here—both when running freely and under practical conditions with a set.



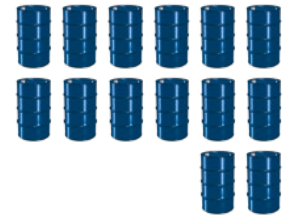
FLUX FBM 4100

28 × 200-l-drums
at 10.000 rpm
free discharge*



Other manufacturers

14 × 200-l-drums
at 10.000 rpm
free discharge*



Delivery quantity per battery charge in set

Set configuration: 2 m hose + hand nozzle



FLUX FBM 4100 in a set

11 × 200-l-drums
at 8.500 rpm



Other manufacturers in a set

6 × 200-l-drums
at 8.500 rpm



The FBM 4100 empties up to twice as many drums per battery charge as comparable battery-powered motors. Both with free flow and under practical conditions with a hose and hand nozzle..

Makes other drum pumps smart too

The FBM 4100 is compatible with all FLUX drum pumps in the proven 400 series as well as with the FLUX VISCOPOWER F 570 progressive cavity pump. Thanks to the FLUX pump adapter, the FBM 4100 can also be easily combined with a wide range of pumps from other manufacturers. This turns every drum pump into a smart solution.



Powerful, maintenance-free, and flexible - anywhere



In humid environments



The brushless FBM 4100 impresses with its robust design and high operational reliability. With IP24, it is optimally protected against splashing water and foreign objects; the closed IP44 version offers additional protection for more demanding environments. Two powerful batteries enable maximum freedom of movement and flexible, location-independent use. The brushless technology reduces maintenance requirements and ensures a long service life and consistently high performance – ideal for everyday use.

On mobile collection trays



The motor and pump can be used anywhere, e.g. for mobile filling of lubricants.

In aggressive environments

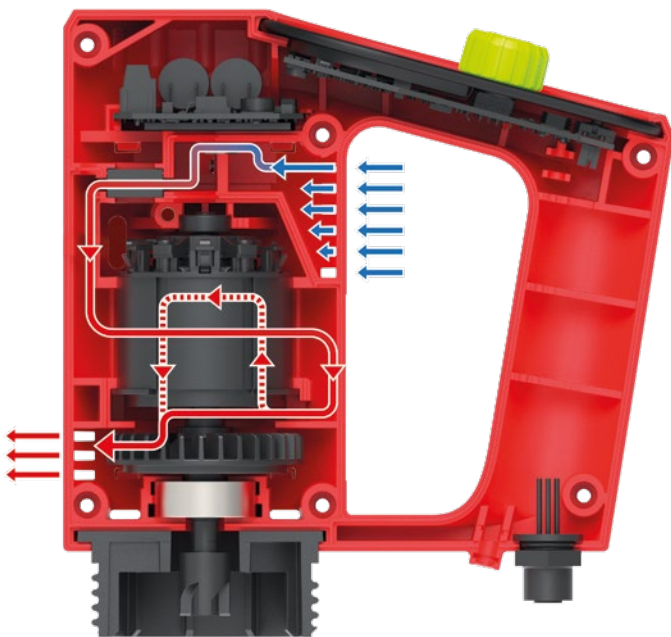


Thanks to encapsulated electronics, it is also suitable for use in aggressive environments, such as electroplating.

The right ventilation concept for every environment

The ventilated version of the FBM 4100 delivers pure power for maximum performance, while the enclosed version offers optimum protection against ingress of media and aggressive gases and vapors—the perfect solution for every application.

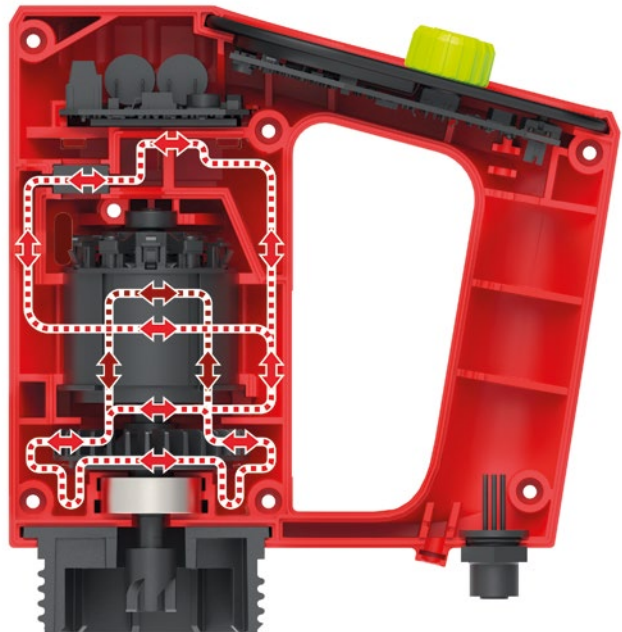
Ventilated – maximum performance



Ideal for standard applications where high performance is crucial. The motor is effectively cooled, ensuring consistently high performance.

- ▶ Maximum motor power of 420 watts
- ▶ Internally ventilated motor
- ▶ Encapsulated electronic components
- ▶ Protection class IP24
- ▶ Available as Core & Pro versions
- ▶ Pro version allows connection of external devices

Closed – maximum safety



Ideal for sensitive or aggressive environments. Fully enclosed housing prevents the ingress of harmful vapors.

- ▶ Maximum motor power of 260 watts
- ▶ Closed motor
- ▶ Fully encapsulated: protection against aggressive media and vapors
- ▶ Increased protection class IP44 for demanding conditions
- ▶ Available as Core & Pro versions
- ▶ Pro version allows connection of external devices

FLUX's motor expertise meets Einhell's battery expertise

The FBM 4100 is a powerful cordless motor that combines state-of-the-art motor technology from FLUX with Einhell's cordless expertise. The result: maximum performance, impressive reliability, and uncompromising durability. With its perfect combination of innovation and consistency, the FBM 4100 sets new standards in its class.

Maximum freedom:

Two 18 V/4 Ah batteries from Einhell (SEALED Power-X-Change) provide the motor with reliable energy – for cordless working, full mobility, and unrestricted use. The Power-X-Change platform stands for maximum flexibility, tested quality, and future-proof technology. Depending on the application, all other Einhell batteries from the 18 V platform can also be used – for maximum freedom (IP protection may be excluded).

Safe & durable:

An integrated battery management system (BMS) ensures optimum performance, maximum runtime, and a long battery life. A robust, rubberized housing provides reliable protection against impacts and ensures a secure grip.

Full control:

A three-stage LED display provides information about the current charge status at all times. This allows you to keep track of things – even during long periods of use and demanding applications.



Quickly ready for use again:
With the Einhell Power-X-Twincharger 3A, both batteries are fully charged in just 75 minutes – for maximum availability during operation.

The FLUX product range



Drum pumps and container pumps



Progressive cavity pumps



Drum emptying systems



Centrifugal immersion pumps



Air-operated diaphragm pumps



Flow meters



Mixers

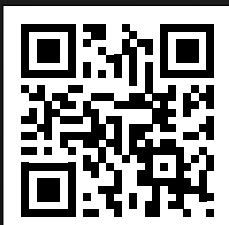


Magnetically centrifugal pumps & filters



Filling and dosing solutions

BR_FBM4100 / 0126 / 10-00583076 / 0,3-E



Quick and easy way to the right pump for your requirements.

FLUX-GERÄTE GMBH

Talweg 12 · D-75433 Maulbronn

Tel +49 7043 101-0 · Fax +49 7043 101-444

info@flux-pumpen.de · www.flux-pumps.com